



## Automatic Water Pressure Relief Valve Lead Free Brass Male NPT Thread For Water Pipeline

Our Product Introduction

for more products please visit us on [brassbronze casting.com](http://brassbronze casting.com)

### Basic Information

- Place of Origin: CHINA
- Brand Name: TSTY
- Certification: ISO14001
- Model Number: Accordingly
- Minimum Order Quantity: 500PCS
- Price: NEGOCIATION
- Packaging Details: Standard export package.
- Delivery Time: 4-8 weeks
- Payment Terms: L/C, T/T
- Supply Ability: Accordingly

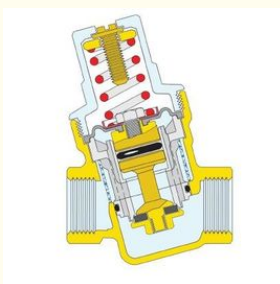


### Product Specification

- Name: Automatic Water Pressure Relief Valve Lead Free Brass Male NPT Thread For Water Pipeline
- Materials: Brass
- Size: DN15- DN50
- Packaging Details: Standard Export Package.
- Media: Water
- Surface Treatment: Natural, Powder Coating, Nickle Plating
- Highlight: **pressure safety valve, temperature pressure relief valve**



### More Images



## Product Description

Item	Automatic Water Pressure Relief Valve Lead Free Brass Male NPT Thread For Water Pipeline
Material	Brass can be CuZn40Pb2,CuZn39Pb3,CC754S,CC770S,C3604,C37710,CW614N,CW617N,DZR BRASS, etc. Bronze can be : Aluminium Bronze, Lead free Bronze,Phosphor Bronze ,Tin Bronze
Dimension	1/2", 3/4", 1", 1-1/4", 1-1/2", 2", 3", 4'
Finish	Natural, Nickle Plating, etc
Connection	Compression end and BSP & NPT Female x female or MalexM,FxM for selecting
Norminal Pressure	1.6MPa
Testing Pressure	0.8mpa by air
Working Temperature	-20°c≤t≤100°c
Working Medium	Water, non-causticity liquid, saturated steam
Process	Gravity casting, Automatic Sand casting,Shell molding, Hot Forging
Machining Equipments	IMR gravity casting machinin, Japan automatic casting line,CNC,CNC Lathe,Transfer machine,etc
Inspection Equipements	Spectrometer for material composition analysis CMM for diemnsion check 100% leakage test 100% thread inspection
Design	OEM/ODM
MOQ	500-2000pcs
Sampe requested	Yes
Price Term	Ex-works, FOB,CIF, etc

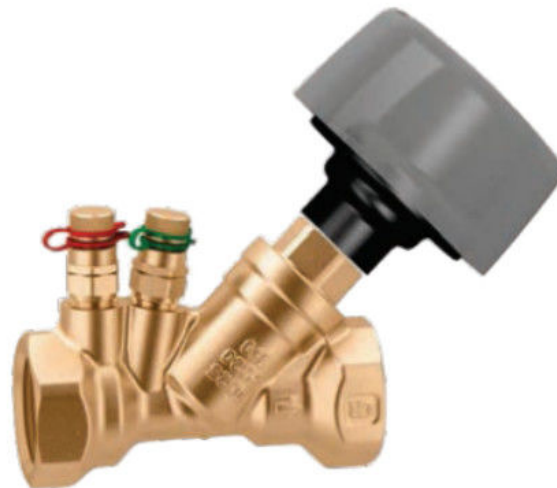
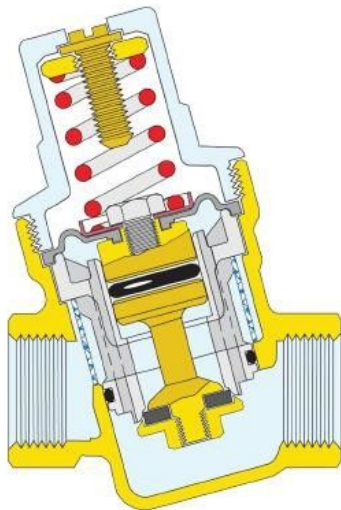
### 1. Technical standards

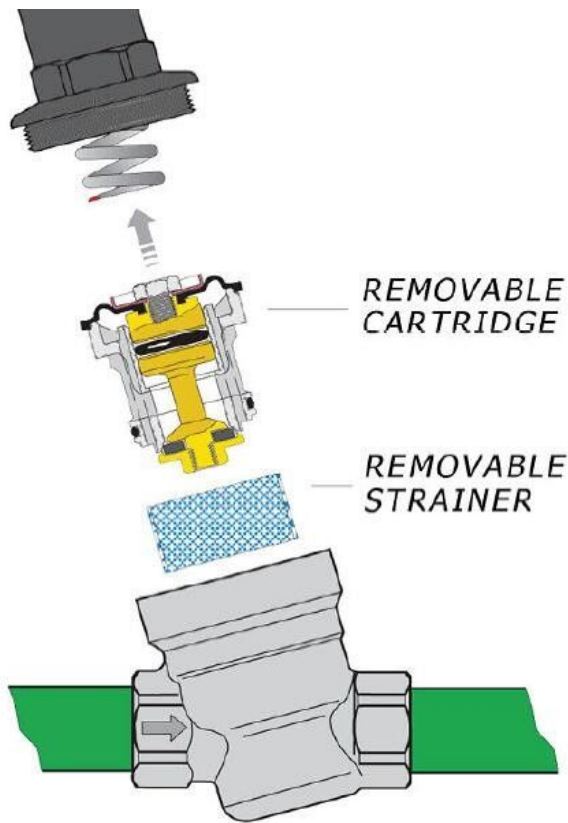
**Nominal Pressure:** 1.6 MPa

**Working Medium:** Water,Non-causticity liquid, Saturated steam(≤0.6MPa)

**Working Temperature:** -20°C≤t≤150°C

**Parallel Pipe Thread to** ISO228/1, BSP, NPT, etc.





**Company Instruction**

1. The subsidiary company of Shanghai Tianshen Copper (Group) Co., Ltd.
2. Established in August 1992 with over 400 staff.
3. Annual output: over 15,000,000 sets; annual output value:400,000,000 RMB.
4. Main products: brass valves, gas valves, heating equipments and sanitary wares, water meters and various kinds of pipe fittings.
5. Our Valves have passed three management system certificates such as ISO9001, ISO14001 and WRAS certificate



**COMPANY INTRODUCTION**

Shanghai Tianshen Copper Group Co., Ltd, established in 1992, is a professional manufacturer for copper materials and parts. With the development of 25 years, Tianshen has set up two facilities in Shanghai and Zhejiang as the manufacture base. By adoption of the advanced and automatic equipments, Tianshen focuses on providing high quality products throughout various industries, such as faucet, water meter, valve, plumbing, power, connector etc. With the high quality, excellent service and competitive price, Tianshen has become long-term strategic suppliers for many well-known brands all over the world.

**OUR PROCESS**

Gravity casting	Automatic sand casting
Centrifugal casting	Hot forging
Continuous casting / Extrusion	Machining

**OUR ADVANTAGES:**

Comprehensive manufacture process from raw material to finished parts  
 ---Devoted to whole process control and continuous improvements  
 Well equipped with modern devices and professional personnel  
 ---Share advanced technology and experience  
 Multiple ways of production process from casting to forging  
 ---Meet various needs of clients  
 Long-term partnership with top international companies  
 ----Stay competitive and focus on excellence

**MAIN PRODUCTS**

Water meters and couplings	Valves and fittings
OEM Brass/Bronze/ Lead free parts	ETP Copper Bus bar
Brass/Bronze/ Lead free Ingots	Brass/Bronze/ Lead free Rods
Brass/Bronze/ Copper Coils/Strips	Brass/Bronze/ Copper Sheets/Plates

**Casting & Forging**



## CAPTION FOUNDRY 铸造车间

### 车间介绍 Workshop is Introduced

产品具有良好的延展性、深冲性、高电导和优良的导电性等特点,广泛应用于建筑、机械制造、汽车、电子电器、集成电路、变压器、电机及各种电气设备等行业。

Be provided with excellent ductility, deep-drawing performance, plating conductivity etc., and widely used in architecture, mechanical manufacture, auto motor,



## PRODUCT DISPLAY

### 产品展示

#### 水龙头 THE TAP



#### 水表壳 THE WATER METER SHELL



### Machining :



## MACHINE SHOP 机加车间

### 车间介绍 Workshop is Introduced

产品具有良好的延展性、深冲性、高电导和优良的导电性等特点,广泛应用于建筑、机械制造、汽车、电子电器、集成电路、变压器、电机及各种电气设备等行业。

Be provided with excellent ductility, deep-drawing performance, plating conductivity etc., and widely used in architecture, mechanical manufacture, auto motor,



## PRODUCT DISPLAY

### 产品展示

#### 水龙头 THE TAP



#### 水表壳 THE WATER METER SHELL



### Our strength

- 1) ISO9001, ISO14001 and WRAS approved.
- 2) HIGH QUALITY materials---customized by ourselves .
- 3) Advanced equipments: infrared temperature measuring system for hot-pressing forging technology, CNC multi-axes finish machining special machine, tri-coordinates thickness gauge;
- 4) 100% sealing performance test and valve's service life testing equipments with leading production equipment and imported valve, we execute gas special plane & water pressure tests as per American standards.
- 5) OEM & ODM projects welcomed
- 6) Dongjiu Production System and ERP Management System

### Testing



SPECTRO 125852  
新谱直读光谱分析仪  
Spectro direct reading spectrophotometer

**TESTING WORKSHOP**      检测设备

**设备介绍 Equipment is introduced**

产品具有较好的延展性、深冲性、具有较好的导电性等特点。广泛用于建筑、机械制造、汽车、电子电器、电线电缆、变压器、电机及各种电气设备等行业。

Be provided with excellent ductility, deep-drawing performance, pasing conductivity etc., and widely used in architecture, mechanical manufacture, auto motor.

### EQUIPMENT EXHIBITION

#### 设备展示



万能试验机  
Universal testing machine



硬度计  
Hardness Gauge



硬度计  
Hardness Gauge



透气计  
Porosimeter



金相分析仪  
Metallograph analyzer



钴量计  
Cobaltmeter

### Seven Steps QC Process :

- 1) Incoming Quality Control (IQC)---Material
- 2) Process Quality Control (PQC)---Quality inspection for Partially Prepared Products
- 3) Final Quality Control (FQC)---Quality inspection for Final Products
- 4) Assembly line Quality Control
- 5) 100% leakage testing
- 6) Total Quality Management (TQM)
- 7) American Standard air&water pressure testing

Contact Information :



## Vee.Sing

Sales engineer

---

**Shanghai Tianshen Copper Group Co., LTD**

**Zhejiang Zhonghan Alloy Materials Co., Ltd**

Add: Rm4 A-D Meixin Building, No. 728 Mid  
Xizang Rd., Shanghai, China Post Code:200001

Tel: 0086-21-63522470-206

Fax: 0086-21-63521617

Mob: 0086-18201901241

E-mail: vee.sing@shtsty.cn xlhvee@gmail.com

http: //www.shtsty.cn



上海天申铜业集团  
SHANGHAI TIANSHEN COPPER GROUP

**Shanghai Tianshen Copper Group Co.Ltd**



brassbronzecasting.com

RM 4 A-D, No. 728 Middle Xizang Road, Huangpu District, Shanghai, China